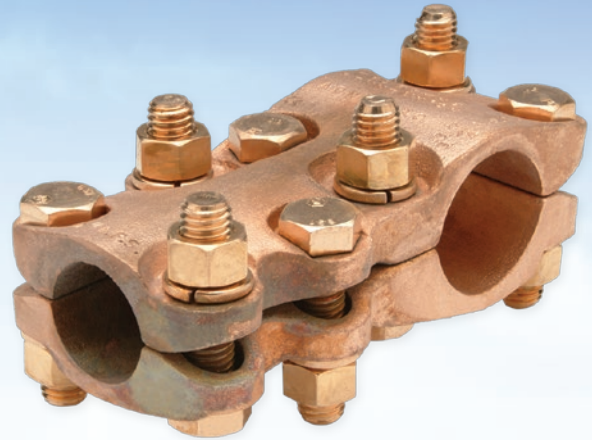


# Bronze Tee Connectors

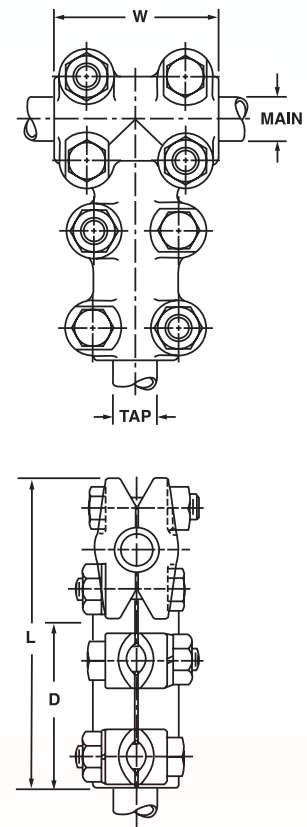
## Type ABN

For copper tube to tube

- Manufactured from high strength cast copper alloy
- Furnished with silicon bronze bolts, nuts, and lockwashers for corrosion resistance
- Captive bolt design permits single wrench installation
- For tin plating, suffix catalog number with “-TN”



CATALOG NUMBER	IPS SIZE		APPROXIMATE DIMENSIONS (IN.)			BOLT SIZE
	MAIN	TAP	W	L	D	
ABN-0707	3/4	3/4	2.50	5.75	2.50	1/2
ABN-1005	1	1/2	2.50	6.00	2.50	
ABN-1007		3/4	2.50	6.00	2.50	
ABN-1010		1	2.50	6.00	2.50	
ABN-1205		1 1/4	1/2	2.75	6.13	
ABN-1207	3/4		2.75	6.13	2.50	
ABN-1210	1		2.75	6.13	2.50	
ABN-1212	1 1/4		2.75	6.38	2.75	
ABN-1505	1 1/2	1/2	2.75	6.50	2.50	
ABN-1507		3/4	2.75	6.50	2.50	
ABN-1510		1	2.75	6.50	2.50	
ABN-1512		1 1/4	2.75	6.75	2.75	
ABN-1515		1 1/2	2.75	6.75	2.75	
ABN-2005	2	1/2	2.75	6.75	2.50	
ABN-2007		3/4	2.75	6.75	2.50	
ABN-2010		1	2.75	6.75	2.50	
ABN-2012		1 1/4	2.75	7.00	2.75	
ABN-2015		1 1/2	2.75	7.00	2.75	
ABN-2020		2	2.75	7.00	2.75	
ABN-2507	2 1/2	3/4	2.75	7.50	2.50	
ABN-2510		1	2.75	7.50	2.50	
ABN-2512		1 1/4	2.75	7.50	2.75	
ABN-2515		1 1/2	2.75	7.50	2.75	
ABN-2520		2	2.75	7.50	2.75	
ABN-2525	2 1/2	3.25	8.25	3.25		



# SUBSTATION CONNECTORS

## Bronze Tee Connectors

TYPE ABN (CONTINUED)

CATALOG NUMBER	IPS SIZE		APPROXIMATE DIMENSIONS (IN.)			BOLT SIZE
	MAIN	TAP	W	L	D	
ABN-3007	3	3/4	2.50	8.25	2.50	1/2
ABN-3010		1	2.50	8.25	2.50	1/2
ABN-3012		1 1/4	2.75	8.50	2.75	1/2
ABN-3015		1 1/2	2.75	8.50	2.75	1/2
ABN-3020		2	2.75	8.50	2.75	1/2
ABN-3025		2 1/2	3.25	9.00	3.25	1/2
ABN-3030		3	3.50	9.75	3.50	5/8
ABN-3507	3 1/2	3/4	2.50	8.75	2.50	1/2
ABN-3510		1	2.50	8.75	2.50	1/2
ABN-3512		1 1/4	2.75	9.00	2.75	1/2
ABN-3515		1 1/2	2.75	9.00	2.75	1/2
ABN-3520		2	2.75	9.00	2.75	1/2
ABN-3525		2 1/2	3.25	9.75	3.25	1/2
ABN-3530		3	3.50	10.00	3.50	5/8
ABN-3535	3 1/2	3.50	10.00	3.50	5/8	
ABN-4007	4	3/4	2.50	9.50	2.50	1/2
ABN-4010		1	2.50	9.50	2.50	1/2
ABN-4012		1 1/4	2.75	9.75	2.75	1/2
ABN-4015		1 1/2	2.75	9.75	2.75	1/2
ABN-4020		2	2.75	9.75	2.75	1/2
ABN-4025		2 1/2	3.25	10.25	3.25	1/2
ABN-4030		3	3.50	11.00	3.50	5/8
ABN-4040	4	4.00	11.50	4.00	5/8	